

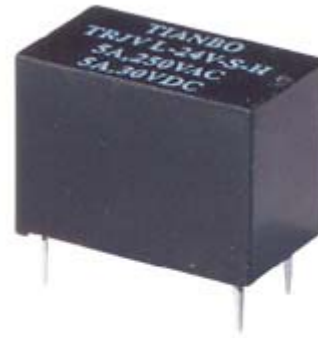


TRJV

SPECIFICATION

FILE NUMBER: P-08KF201A

DATE: 2002/1/28



■ Features

Low profile and space saving

High sensitivity in small package

Nominal power:0.2 to 0.3W

High insulation with reinforced insulation system

Plastic sealed type

■ CONTACT DATA

Contact Form	1A(SPST-NO)	
Contact Material	SILVER ALLOY	
Contact Ratings	5A 250VAC / 5A30VDC	
Max Switching Voltage	250VAC / 150VDC	
Max Switching Current	5A	
Max Switching Power	1250VA / 150W	
Contact Resistance	100m Ω Max	at 6VDC 1A
Life Expectancy Electrical	100,000	Operations(at30Operations/minute)
Machanical	5,000,000	Operations

■ GENERAL DATA

Insulation Resistance	1000M Ω Min at 500VDC
Dielectric Strength Between Open Contacts	750VAC(for one minute)
Between Contacts and coil	5000VAC(for one minute)
Operate Time	8ms
Release Time	4ms
Temperature Range	-40°C to+70 °C
Shock Resistance	10G 11ms
Vibration Resistance	10-55Hz,1.5mm
Humidity	40-85%
Weight	Approx 4.5g
Safety Standard	

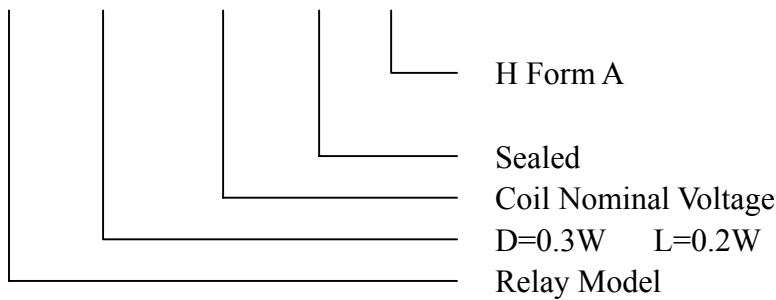


■ COIL DATA

Nominal Voltage (VDC)	Coil Resistance at 20±10%(Ω)		Max Operate Voltage (VDC)	Min Release Voltage (VDC)	Max Applicable Voltage (VDC)
	0.2W	0.3W			
3	45	30	2.25	0.15	3.9
5	125	83	3.75	0.25	6.5
6	180	120	4.5	0.3	7.8
9	405	270	6.75	0.45	11.7
12	720	480	9	0.6	15.6
18	1620	1080	13.5	0.9	23.4
24	2880	1920	18	1.2	31.2
48	0.36W 6400±15%(Ω)		36	2.4	62.4

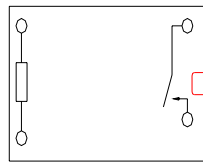
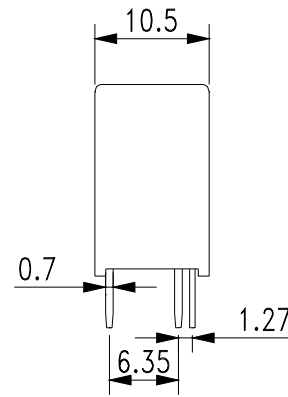
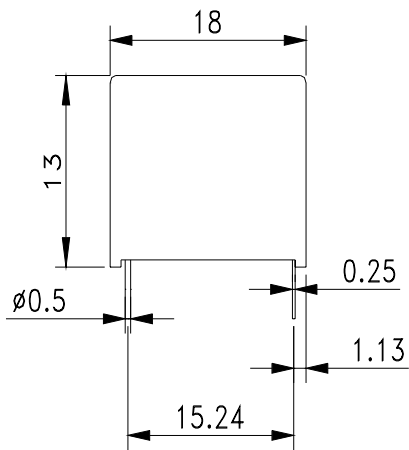
■ ORDERING CODE

TRJV D--12VDC--S--H

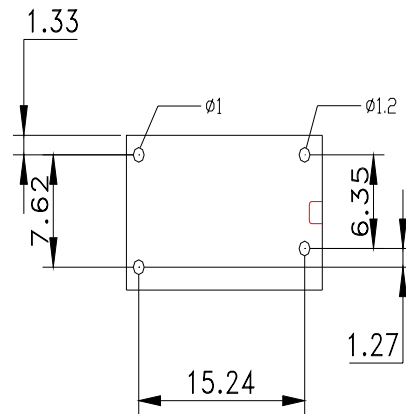


OVERALL AND MOUNTING DIMENSIONS

DIMENSIONS



BOTTOM VIEW



PCB BOTTOM VIEW