

# JQC-26F (HF26F)

# SUBMINIATURE HIGH POWER RELAY



File No.:E133481



File No.: 40013995



## Features

- Extremely low cost
- 3800VAC coil-contacts dielectric strength
- 10A 250VAC (at 85°C) switching capability
- Clearance / creepage distance meeting VDE0435 / 0700
- CTI 250/CTI 300 available
- UL94, V-0 flammability class
- Environmental friendly product available (RoHS compliant)
- Outline Dimensions: 15.0 x 15.0 x 20.0 mm

## CONTACT DATA

Contact arrangement	1A	1C
Initial contact resistance Max.	50mΩ (at 1A 6VDC)	
Contact material	AgNi90/10	
Contact rating	10A 250VAC	
Max. switching voltage	250VAC	
Max. switching current	15A	
Max. switching power	2500VA	
Mechanical life	5 x 10 <sup>6</sup> OPS	
Electrical life	5 x 10 <sup>4</sup> OPS	

## COIL

Coil power	360mW
------------	-------

## COIL DATA

Nominal Voltage (VDC)	Pick-up Voltage (VDC)	Drop-out Voltage (VDC)	Max. Allowable Voltage (VDC) 20°C	Coil Resistance (Ω)
5	3.75	0.5	8.0	70 ± 10%
6	4.50	0.6	10.0	100 ± 10%
9	6.75	0.9	14.5	225 ± 10%
12	9.00	1.2	18.5	400 ± 10%
18	13.5	1.8	26.0	900 ± 10%
22	16.5	2.2	34.0	1345 ± 10%
24	18.0	2.4	35.5	1600 ± 10%
36	27.0	3.6	52.0	3600 ± 10%

Notes: Other coil voltage on request.

## CHARACTERISTICS

Initial insulation resistance	100MΩ (at 500VDC)
Dielectric strength	Between coil & contacts 3800VAC 1min.
	Between open contacts 1000VAC 1min.
Surge voltage (between coil & contacts)	4000VAC
Operate time (at nomi. volt.)	Max. 15ms
Release time (at nomi. volt.)	Max. 15ms
Bounce time	Max. 15ms
Temperature rise (at nomi. volt.)	Max. 60°C
Shock resistance (Destruction)	294 m/s <sup>2</sup> (30g)
Vibration resistance	30 to 400Hz 4g
Humidity	40 to 85% RH
Ambient temperature	-40°C to +85°C
Flow soldering temperature	260°C, 5s
Termination	PCB
Unit weight	Approx. 5.6g
Construction	Flux proof IP50

## SAFETY APPROVAL RATINGS

UL&CUR	1 Form A	10A 250VAC
	1 Form C	10A 250VAC
VDE	1 Form A	10A 250VAC
	1 Form C	NO:10A 250VAC NC: 4A 250VAC



HONGFA RELAY

ISO9001、ISO/TS16949、ISO14001、OHSAS18001 CERTIFIED

2006 Rev. 1.10

## ORDERING INFORMATION

Type	JQC-26F /	012	1H	(425)	XXX
Coil voltage	5, 6, 9, 12, 18, 22, 24, 36VDC				
Contact arrangement	1H: 1 Form A    1Z: 1 Form C				
CTI	(425): CTI 300		Nil: standard CTI 250		
Customer special code	Only for special requirements, e.g. 555 stands for RoHS compliant				

## OUTLINE DIMENSIONS, WIRING DIAGRAM AND PC BOARD LAYOUT

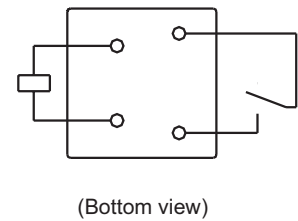
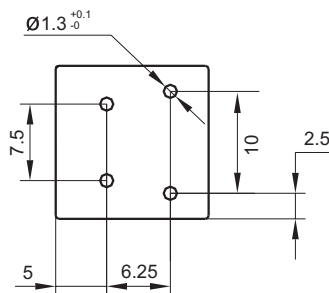
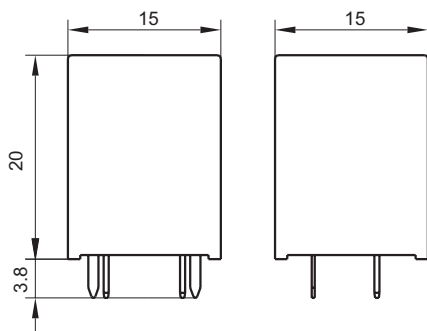
Unit: mm

Outline Dimensions

PCB Layout

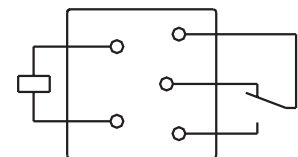
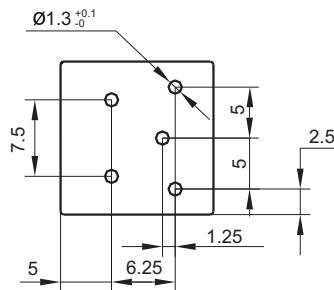
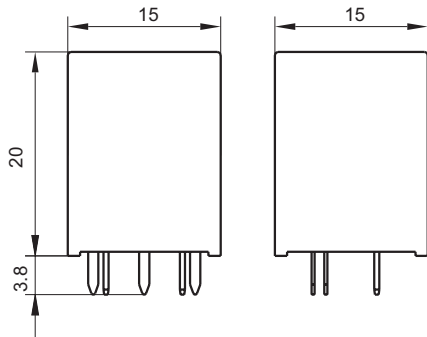
Wiring Diagram

1 Form A



(Bottom view)

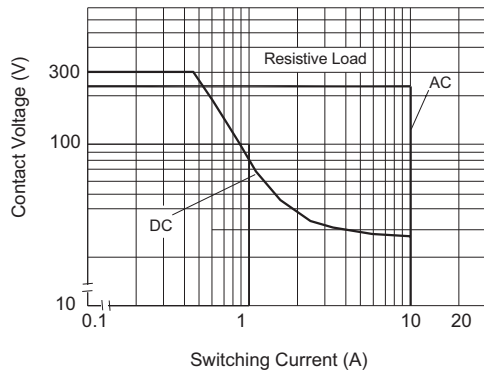
1 Form C



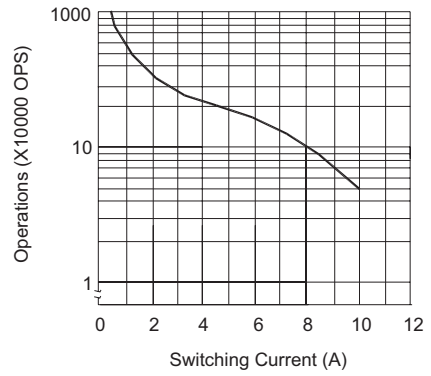
(Bottom view)

## CHARACTERISTIC CURVES

MAXIMUM SWITCHING POWER



LIFE CURVE



### Disclaimer

This datasheet is for the customers' reference. All the specifications are subject to change without notice.

We could not evaluate all the performance and all the parameters for every possible application. Thus the user should be in a right position to choose the suitable product for their own application. If there is any query, please contact Hongfa for the technical service. However, it is the user's responsibility to determine which product should be used only.

© Xiamen Hongfa Electroacoustic Co., Ltd. All rights of Hongfa are reserved.