

備註/Note:

1.安規/Safety:

- 1-1 規格/Rating: DC 30V/2A
- 1-2 接觸阻抗/Contact Resistance: 30m Ohm or less
- 1-3 絕緣阻抗/Insulation Resistance: 500M Ohm Min at DC100V
- 1-4 絕緣耐壓/Dielectric Withstanding Voltage: AC 250V for 1 minute

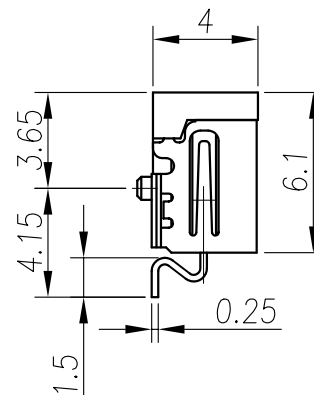
2.材質/Material:

- 2-1 端子/PIN: 磷銅/PHOSPHOR BRONZE
- 2-2 膠芯/HOUSIG: NYLON
- 2-3 鐵殼/SHELL: 不鏽鋼/STAINLESS STEEL

3.電鍍/Plating:

- 3-1 鐵殼/SHELL: SEE TABLE A

1	MINI USB 母座成品(單防呆)貝吉	鍍鎳/NICKEL
2	MINI USB 母座成品(單防呆)金30u"	鍍鎳/NICKEL
3	MINI USB 母座成品(單防呆)金15u"	鍍鎳/NICKEL
4	MINI USB 母座成品(單防呆)	鍍鎳/NICKEL
5	MINI USB 母座成品(單防呆)	鍍錫/TIN
P/N	DESCRIPTION	PLATED



MORETHANALL
CONNECTORS
ASSEMBLIES

焯倫有限公司

PART NO. MSB-SW-4H

DWG NO. MSB-SW-4H

FILE NO.

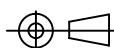
UNIT / mm

SCALE 1:1

CHECKED BY CY

DRAWING BY

PROJECTION



TOLERANCES ARE

.X ± 0.1
.XX ± 0.05
.XXX ±
AWG

DESCRIPTION:

MINI USB 4(F)單防呆

AREA

REVISIONS

HK

DATE