

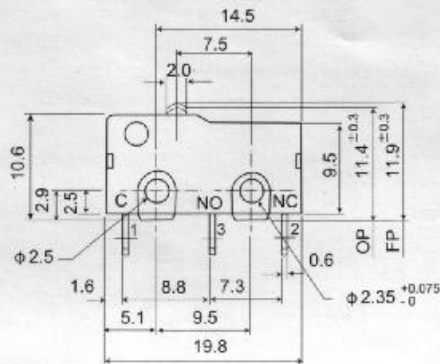
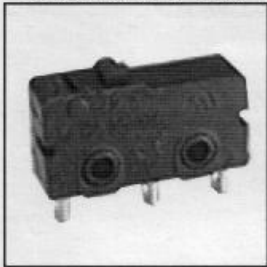
SM Micro Switches



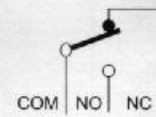
■ SPECIFICATION:

Rating: SM3: 3A 125VAC/250VAC SM5: 5A 125VAC/250VAC	Mechanical Life: 100,000 cycles
Insulation Resistance: >100MΩ DC500V	Electrical Life: 10,000 cycles
Withstand Voltage: AC1,500V 1 minute	Ambient Temper. Used: -25°C to +80°C
Contact Resistance: ≤ 50mΩ	Ambient Humidity Used: < 85%RH
Soldering Temper: 245±5°C max 5sec.	Operating Force: On request

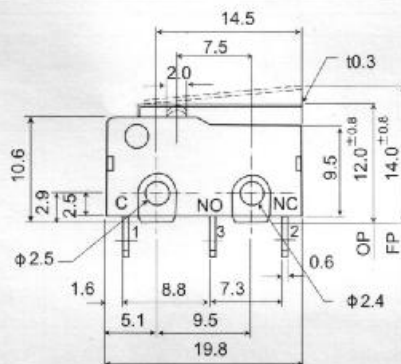
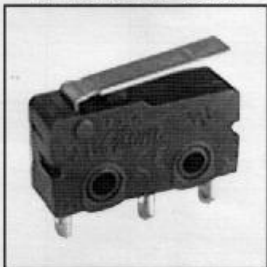
SM3-00N-115G
SM5-00N-115G



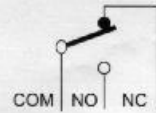
SCHEMATIC



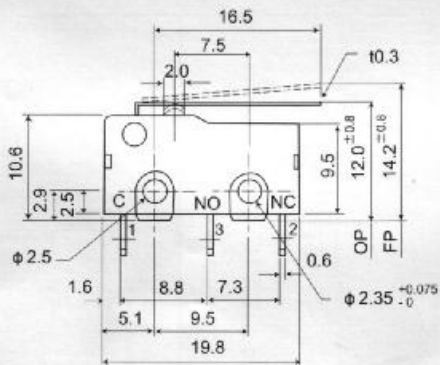
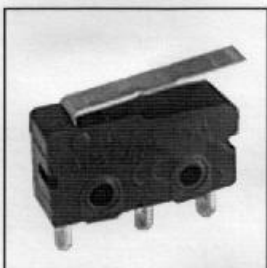
SM3-01N-30G
SM5-01N-30G



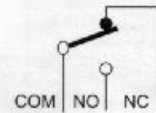
SCHEMATIC



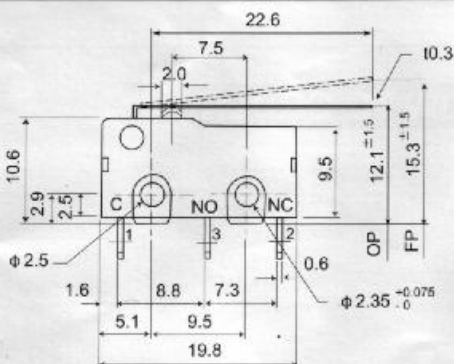
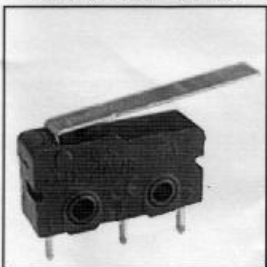
SM3-02N-38G
SM5-02N-38G



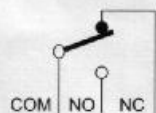
SCHEMATIC



SM3-03P-28G
SM5-03P-28G



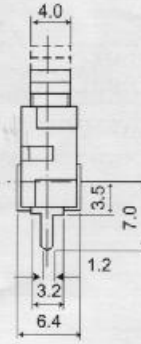
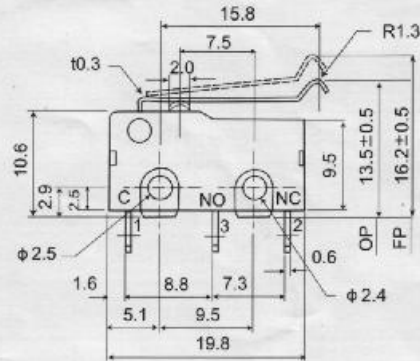
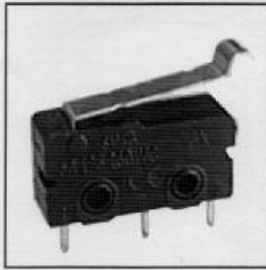
SCHEMATIC



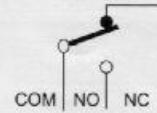
SM Micro Switches



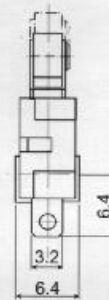
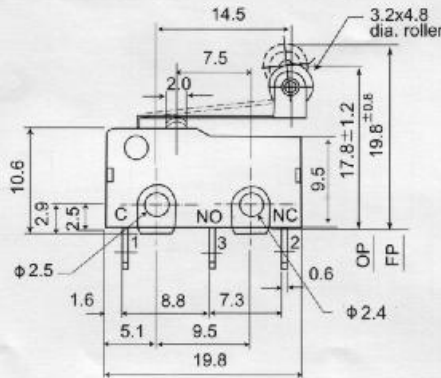
SM3-04P-40G
SM5-04P-40G



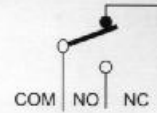
SCHEMATIC



SM3-05N-45G
SM5-05N-45G

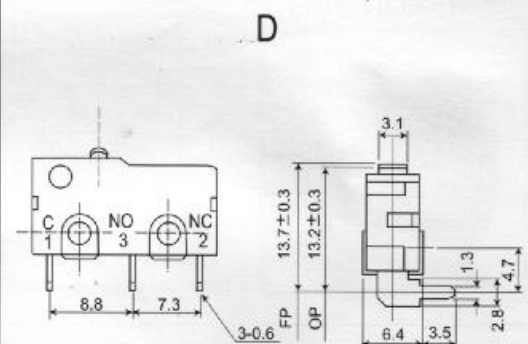
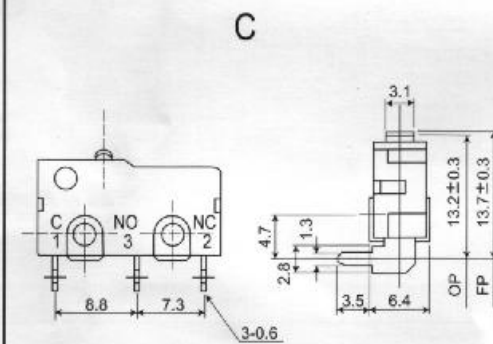
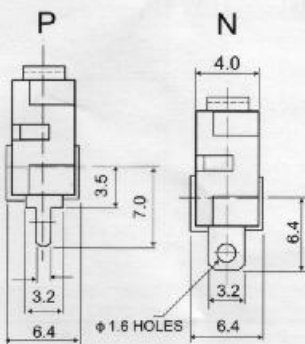


SCHEMATIC



MODEL NO.	OPERATING FORCE(gf)						(std.)	OPERATING FORCE(gf)				
	(std.)	(std.)	(std.)	(std.)	(std.)	(std.)		(std.)	(std.)	(std.)	(std.)	
SM3-00N- / SM5-00N-	60	80	95	(115)	130	150	175	190	250	295	330	
SM3-01N- / SM5-01N-	17	20	25	(30)	35	40	45	50	60	75	85	
SM3-02N- / SM5-02N-	15	17	20	25	30	35	(38)	45	55	65	75	
SM3-03N- / SM5-03N-	10	13	15	18	20	25	(28)	35	45	53	65	
SM3-04N- / SM5-04N-	13	18	23	28	30	35	(40)	45	60	70	75	
SM3-05N- / SM5-05N-	14	20	25	30	34	40	(45)	50	68	75	90	

TERMINAL TYPE



HOW TO ORDER

MODEL NO.	+	RATING CURRENT	-	ACTUATOR TYPE	+	TERMINAL TYPE	+	DUST & SPLASH WATER PROOF	-	OPERATING FORCE
SM	+	3: 3A 125V, 250VAC 5: 5A 125V, 250VAC	-	00 03 07 01 04 02 05	+	P PW N NW C D	+	<input type="checkbox"/> : Standard (No Dust & Splash water proof) <input type="checkbox"/> w : Dust & Splash water proof (P,N Terminal) only	-	(as above)