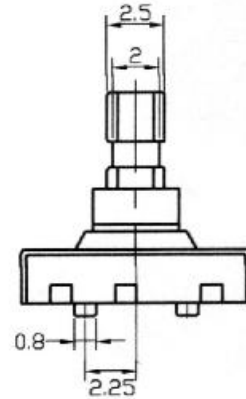
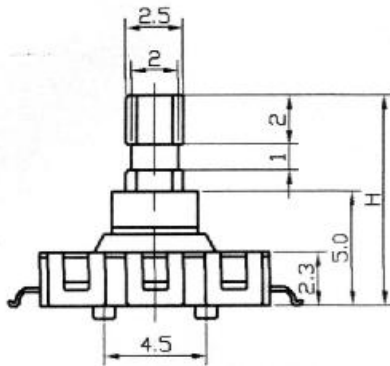
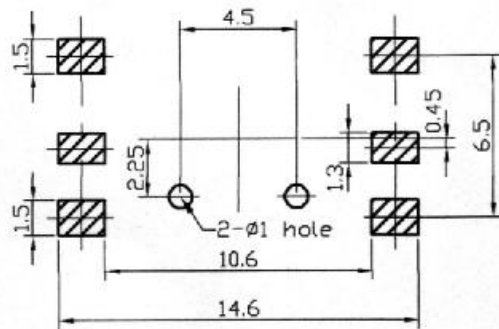


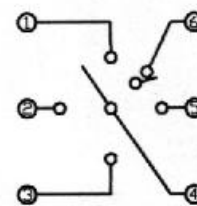
Shape			
Code	A	B	C
H	5	7	9



P.C.Board layout



Circuit Diagram



		Tolerances Unless Otherwise Specified		TOMY INDUSTRIAL CO., LIMITED	
SCALE	UNIT	L<10	±0.3		
	mm	10<L<100	±0.5	DRAWING TITLE	
Revision Notes		100<L	±0.8	TTS-SERIES	
		Angular Dimension	±5°	DRAWING NAME	
		DESIGNED	DRAWN	CHECKED	APPROVED
		EDDIE WONG	Alan	Andy yu	DRAWING NO.
					TTS-5DS-01-01